

FPL ***SERIES***

INSTRUCTION MANUAL

TABLE OF CONTENTS

Features	2
Customer Service / Warranty	2
Optimize Your FPL	3
Quick Start	3
Electrical Specifications	4
General Specifications	4
Pin Descriptions	5
Error and Indicator LEDs	6
System Configuration Guide	7
Mechanical Dimensions	7
Operating Procedures	9
Theory of Operation	11
Troubleshooting	12

FEATURES

The FPL laser diode driver offers many unique features. These include:

- 250 mA, 500 mA, 1 Amp, 2.5 Amp and 5 Amp capacities
- Multiple Laser Diode protection schemes including:
 - Slow Start
 - Open Circuit Detection
 - Laser Diode Over Temperature Detection
 - Current Limit
 - FP Module Over Temperature Detection
 - Separate Power Inputs for Laser Diode to Limit Compliance Voltage
 - Mechanical Relay Shorts Laser Diode when FPL is Off
 - Error Sensing from FPT (TE Controller Module)
- Output Power Stability < 0.02% typical (24 hours)
- Operates all pin configurations of Laser Diodes
- Setpoint, Current Limit & Temp. Limit are user adjustable
- Low Profile Packaging
- Modulation in Constant Current and Constant Power
- Selectable modulation transfer function
- Selectable Photodiode sensitivity
- LED Indicators for easy troubleshooting
- Mounts to Metric or English Optical Breadboards
- Two Year Warranty

The 'FP' series provides complete laser diode control with both laser diode drivers and temperature controllers. The 'FPL' drivers are individually packaged in a compact, connectorized metal housing. The 'FPT' temperature controllers are also available in this package. If you need complete control, the 'FPC' series combines any two units in one low profile, shielded enclosure.

CUSTOMER SERVICE / WARRANTY

If you have any questions or comments, please call our technical staff at (406) 587-4910. Our hours are 8:00a.m. to 5:00p.m. MT.

Wavelength warrants this product for 2 years against defects in materials and workmanship when used within published specifications. This warranty extends only to purchaser and not to users of purchaser's products. If Wavelength receives written notice of such defects during the warranty period, we will either repair or replace products which prove to be defective. It is purchaser's responsibility to determine the suitability of the products ordered for its own use. Wavelength makes no warranty concerning the fitness or suitability of its products for a particular use or purpose; therefore, purchaser should thoroughly test any product and independently conclude its satisfactory performance in purchaser's application. No other warranty exists either expressed or implied, and consequential damages are specifically excluded.

All products returned must be accompanied by a Return Material Authorization (RMA) number obtained from the Customer Service Department. Returned product will not be accepted for credit or replacement without our permission. Transportation charges or postage must be prepaid. All returned products must show invoice number and date and reason for return.

The FPL laser diode drivers can power Class IV laser diodes. Precautions should be taken to avoid exposure to the laser radiation. Do not stare directly into the beam or expose hands or other body parts to the beam. Before powering the laser diode, mount it securely and have beam dumps set up to catch both front and back facet outputs.

In the United States, the Food & Drug Administration is responsible for monitoring laser products. The FPL series has been registered as an OEM product. It does not comply with regulations. You must incorporate it into your system and that system must comply with federal regulations. Wavelength Electronics has experience with the government requirements. We can help you insure that your device is compliant. Please contact us if you have any questions.

OPTIMIZE YOUR FPL

POWER SUPPLY AND NOISE:

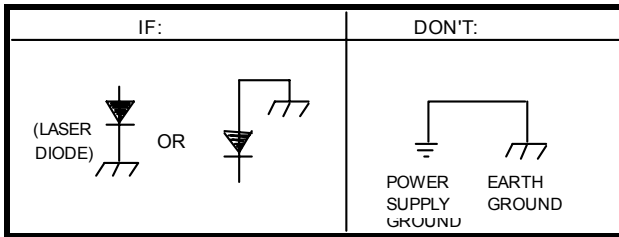
The control electronics are designed for low noise operation. The power supply you select will directly affect the noise performance of the driver. We recommend using regulated linear supplies for optimum performance. If you want to limit power consumption of the driver and increase safety of your laser diode, you can provide a ± 12 or $\pm 15V$ supply to the control electronics at low current and use a single supply at lower voltage to power the laser diode. [Page 9 describes how to connect power for either case.] The following table details power supplies from Power One that properly operate the FPL series. You can contact the California plant at 1-(800) 678-9445:

DRIVER	DUAL SUPPLY
FPL-250	HAD15-4-A OR HAD12-4-A
FPL-500	HBB15-1.5-A
FPL-1000	HBB15-1.5-A
FPL-2500	HCC15-3-A
FPL-5000	HDD15-5-A

GROUNDING:



CAUTION: The following chart details the difference between connecting grounds properly and improperly. **You can connect laser diode anode or cathode to earth ground, but DO NOT CONNECT POWER SUPPLY GROUND TO EARTH GROUND** when earth grounding the laser.



CAUTION: If you plan to operate the FPL and FPT, you may need to use separate power supplies. If the TE cooler or thermistor is tied to the laser diode, you must use two separate power supplies and let each float independent of the other.



CAUTION: IF LASER DIODE AND PHOTODIODE ARE ISOLATED:

If you want to maintain isolation, connect a $1M\Omega$ resistor between the laser diode anode and photodiode cathode. If isolation is not required, simply short the laser diode anode and photodiode cathode. If not connected, the photodiode voltage level can float beyond the input common mode voltage of the transimpedance amplifier, and the driver will not control properly.

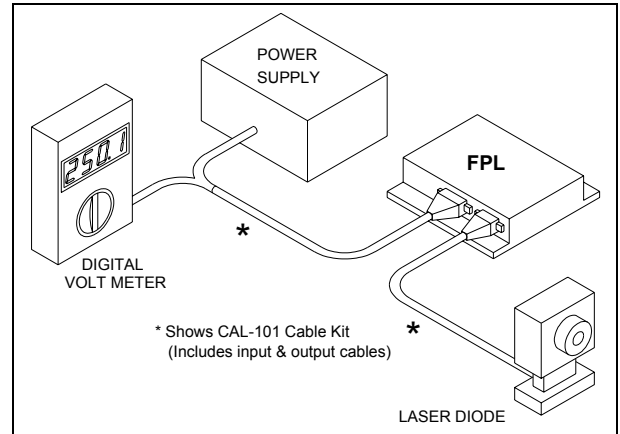


POWER SUPPLY TURN ON:

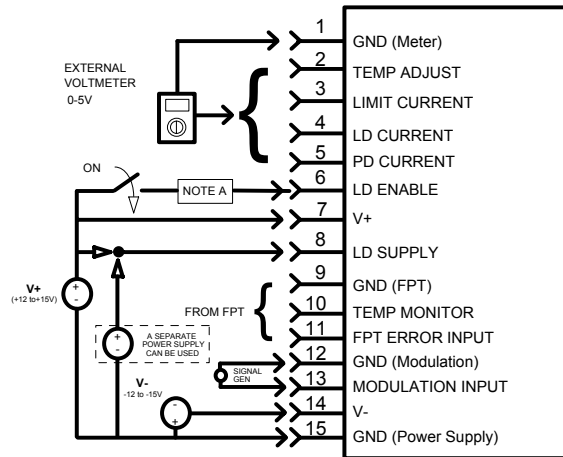
CAUTION: Always apply $V+$ & $V-$ by turning the AC power on at the power supply. Never use a toggle switch on the secondary of the power supply to apply $V+$ & $V-$. Since the two voltages may not come up simultaneously, you can damage the control electronics.

QUICK START

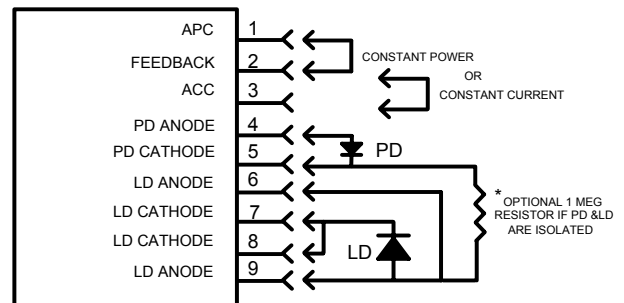
The following is a sketch of the components you will need to operate the FPL, and a rough connection diagram. Much more detail is included in the PIN DESCRIPTION section, and you should review the entire manual before operating your laser diode with the FPL.



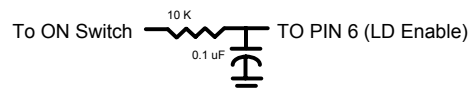
FPL INPUT CONNECTOR



FPL OUTPUT CONNECTOR



NOTE A: When connecting FPT to the FPL, the power supplies may not power up simultaneously. This RC circuit will slow start the LD ENABLE line and allow for both circuits to reach steady state operation. Adjust the R and C values to optimize for the power supplies used.



FPL SERIES LASER DIODE DRIVER ELECTRICAL SPECIFICATIONS

Model Number	FPL-250	FPL-500	FPL-1000	FPL-2500	FPL-5000
Drive Current Output					
Output Current Range	0 - 250 mA	0 - 500 mA	0 - 1 Amp	0 - 2.5 Amps	0 - 5 Amps
Compliance Voltage ❶	> 6 V	> 6 V	> 6 V	> 6 V	> 6 V
Temperature Coefficient	< 100 ppm / °C	< 100 ppm / °C	< 100 ppm / °C	< 100 ppm / °C	< 100 ppm / °C
Short Term Stability (1 hr)	< 20 ppm	< 20 ppm	< 20 ppm	< 20 ppm	< 20 ppm
Long Term Stability (24 hrs.)	< 50 ppm	< 50 ppm	< 50 ppm	< 50 ppm	< 50 ppm
Noise and Ripple (µA rms)					
High Bandwidth Mode	< 5 µA	< 8 µA	< 10 µA	< 15 µA	< 20 µA
CW Mode ❷	< 1 µA	< 1 µA	< 3 µA	< 5 µA	< 5 µA
Current Limit Range	0 - 250 mA	0 - 500 mA	0 - 1 Amp	0 - 2.5 Amps	0 - 5 Amps
Current Limit Accuracy	10 mA	10 mA	10 mA	150 mA	150 mA
Photodiode Feedback					
Standard Range	50 - 2500 µA	50 - 2500 µA	50 - 2500 µA	50 - 2500 µA	50 - 2500 µA
Optional Range ❸	15 - 250 µA	15 - 250 µA	15 - 250 µA	15 - 250 µA	15 - 250 µA
Max. forward PD Bias voltage	0.125 V	0.125 V	0.125 V	0.125 V	0.125 V
Const. Power Output Stability	< 0.02 %	< 0.02 %	< 0.02 %	< 0.02 %	< 0.02 %
External Modulation (Constant Current)					
Input Impedance ❹	10 kΩ	10 kΩ	10 kΩ	10 kΩ	10 kΩ
Transfer Function	50 mA / V	100 mA / V	200 mA / V	500 mA / V	1000 mA / V
Optional Transfer Function ❸	5 mA / V	10 mA / V	20 mA / V	50 mA / V	100 mA / V
Bandwidth (3 dB) ❺					
High Bandwidth	DC - 300 kHz	DC - 200 kHz	DC - 150 kHz	DC - 100 kHz	DC - 50 kHz
CW Mode ❷	DC - 15 Hz	DC - 15 Hz	DC - 15 Hz	DC - 15 Hz	DC - 15 Hz
Depth of Modulation at 10kHz	90%	90%	90%	90%	90%
Power Supply Trip					
Power Up Trip Point ❻	11 V	11 V	11 V	11 V	11 V
Power Down Trip Point ❻	10 V	10 V	10 V	10 V	10 V

FPL GENERAL SPECIFICATIONS

Power Requirements ❷ ±12 to ±15 VDC (±15.5V MAX)	Weight < 0.6 lbs., < 0.3kg	Connectors 9 and 15 pin D-sub receptacles (cables need male plugs)
Supply Current 200mA @ V+, 100mA @ V- plus FPL's maximum LD current @ Pin 8 on the input connector	Operating Temperature 0 to +50°C	Warm-Up 1 hour to rated accuracy
Size (HxWxD) 1.0" x 4.25" x 3.5", 25.4 x 108 x 89 mm	Storage Temperature -40 to +80°C	Error Indicators One green, one red LED

- ❶ Compliance Voltage will vary depending on power supply voltages; a maximum compliance voltage of 10 volts will be obtained with 15 volts input.
- ❷ When used with Model CAL-102 OR CAC-302 low-noise filter cable.
- ❸ Optional Photodiode Range and External Modulation Transfer Function must be specified at time of order.
- ❹ Impedance is 100kΩ when using the optional transfer function
- ❺ Modulation bandwidth in Constant Power mode will depend on photodiode response.
- ❻ The FPL series has internal control circuitry which turns the output on and off depending on voltage at pin 7 (V+ on the input connector). When the voltage reaches the power up voltage, the module soft starts the laser diode. When the voltage reaches the power down trip point, the module shunts current around the laser diode, powering it down in a controlled fashion.
- ❼ If thermistor and laser diode are case common, the FPL and FPT series power supplies must be isolated from each other.

PIN DESCRIPTIONS

Laser Diode Input Connector (15 pin D-sub)		Laser Diode Output Connector (9 pin D-sub)	
Pin #	Description	Pin #	Description
1	GND (For Pins 2-5)	1	Constant Power
2	Temp. Adjust Monitor	2	Feedback
3	Limit Current Monitor	3	Constant Current
4	LD Current Monitor	4	PD Anode
5	PD Current Monitor	5	PD Cathode
6	LD Enable	6, 9	LD Anode
7	V+	7, 8	LD Cathode
8	LD Supply		
9	GND (for pins 10 and 11)		
10	Temp. Monitor Input		
11	FPT Error Input		
12	GND (For pin 13)		
13	Modulation Input		
14	V-		
15	GND (High Current)		

Laser Diode Input Connector

(15 pin receptacle)

Pins 1, 9, 12 GROUNDS- LOW CURRENT ONLY:

These pins provide access to the grounds of the monitor outputs and modulation and temperature inputs. While they are tied together, all grounds are starred on the PCB and you will optimize performance by using the ground pin paired with a specific function. **CAUTION: DO NOT USE ANY OF THESE GROUNDS FOR THE POWER SUPPLY. THEY ARE NOT DESIGNED TO CARRY MORE THAN 200mA.**

Pin 2 TEMP ADJUST MONITOR:

This output is used in setting the laser diode over temperature point. This output ranges from 0-5V. The setting will depend on the temperature sensor you are using. If you do not want to use either the FPT or TEC sensor output signal, you may provide a 0-5V signal from an appropriate temperature dependent sensor. Call our technical support team at (406) 587-4910 for more information on including an external temperature sensor.

Pin 3 LIMIT CURRENT MONITOR:

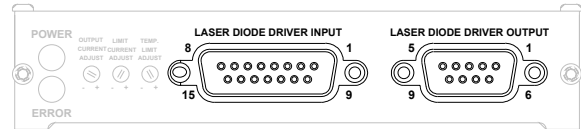
This output is used in setting the maximum current to the laser diode. The transfer function is 0.1mA/mV for 250mA, 500mA, and 1000mA current sources (FPL-250, FPL-500, FPL-1000). The transfer function is 1mA/mV for the FPL-2500 and FPL-5000.

Pin 4 LD CURRENT MONITOR:

This output is used to monitor the current through the laser diode. The transfer function is 0.1mA/mV for 250mA, 500mA, and 1000mA current sources (FPL-250, FPL-500, FPL-1000). The transfer function is 1mA/mV for the FPL-2500 and FPL-5000.

Pin 5 PD CURRENT MONITOR:

This output is used to monitor the current from the photodiode. The standard transfer function is 1µA/mV and 0.1µA/mV for the optional range.



Pin 6 LASER DIODE ENABLE:

This pin controls the status of the laser diode current source. If this input floats or is grounded, the laser diode will be disabled. To enable the laser diode, this voltage must be between 3V and V+. This can be as simple as connecting a switch between V+ (pin 7) and pin 6, or including a complex interlock system. Several errors are latched and require the enable input to be toggled.

When the laser diode current source is disabled, the laser diode is shorted by the mechanical relay, the output setpoint is brought to 0V, the current source is reduced to a low standby current, and the residual current is shunted through the control FET.

If the FPL is being used in conjunction with a FPT, a RC delay circuit shown on page 3 might need to be connected to the LD ENABLE pin depending on the power supply configurations.

Pin 7 V+ (+12 to +15V):

This input along with pin 14 (V-) and pin 15 (GND) provides power to the control electronics.

Pin 8 LD SUPPLY (+8 to +15):

This input along with pin 15 (GND) provides power to the laser diode current source. It can either be tied to pin 7 or a separate power supply can be used.

Pin 10 TEMP MONITOR INPUT:

This pin accepts a 0-5V temperature dependent voltage input (NTC) and is used to monitor the temperature of the laser diode. If the voltage at the pin falls below the setpoint voltage at pin 2, the unit will be disabled due to an OVER TEMPERATURE ERROR [see Page 6 for details]. If not used, this input should be allowed to float. [This pin can be configured for PTC sensors at the factory.] Pin 5 of an FPT (Temperature Monitor Output) can be attached to this input.

CAUTION: IF THE THERMISTOR OR TE COOLER IS CONNECTED TO THE LASER DIODE, DO NOT USE THIS INPUT UNLESS YOU EXTERNALLY OPTICALLY ISOLATE THE SIGNAL. ALSO, DO NOT OPERATE THE FPT AND FPL POWER SUPPLIES FROM THE SAME GROUND.

Pin 11 FPT ERROR INPUT:

If you are using an FPT series temperature controller, an error on the FPT will be coupled through this pin. An error is indicated when the voltage at this pin is less than 1.5V. If not used, this input should be allowed to float.

CAUTION: IF THE THERMISTOR OR TE COOLER IS CONNECTED TO THE LASER DIODE, DO NOT USE THIS INPUT UNLESS YOU EXTERNALLY OPTICALLY ISOLATE THE SIGNAL. ALSO, DO NOT OPERATE THE FPT AND FPL POWER SUPPLIES FROM THE SAME GROUND.

Pin 13 MODULATION INPUT:

This input is DC coupled to accept an analog control voltage. **IF THIS INPUT IS NOT USED, TIE PIN 12 TO PIN 13 AT THE CONNECTOR.** The frequency and duty cycle of the input will directly affect the laser diode, limited only by the 3dB frequency of the module [see Page 4 for specifications]. Two transfer functions are available. Specify the desired conversion at the time you order, or call our technical staff at (406) 587-4910 for instructions.

Pin 14 V- (-12 to -15V):

This input along with pin 7 (V+) and pin 15 (GND) provides power to the control electronics.

Pin 15 GND (High Current Return):

This pin along with pin 8 (LD SUPPLY) provides power to the laser diode. It is also used with pins 7 and 14 to power the control electronics. This is the only ground connection designed for high current.

Laser Diode Output Connector (9 pin receptacle)

Pins 1, 2, 3 CONSTANT POWER, FEEDBACK, CONSTANT CURRENT:

These pins configure the operating mode of the FPL and should be shorted at the connector. If pins 1 and 2 are shorted, the unit will run in Constant Power mode and a photodiode is required. If pins 2 and 3 are shorted, the driver will operate in Constant Current mode. If pin 2 is not connected to either pin 1 or 3, the laser diode cannot be enabled.

Pin 4 PD ANODE:

This pin should be connected to the photodiode anode.

Pin 5 PD CATHODE:

This pin should be connected to the photodiode cathode.

Pins 6 and 9 LD ANODE:

Both pins should be connected to the laser diode anode. The dual connections are designed to reduce the risk of an accidental open circuit to the laser diode. If the connector is rocked back and forth, the connection to the laser diode should remain unbroken.

Pins 7 and 8 LD CATHODE:

Both pins should be connected to the laser diode cathode. The dual connections are designed to reduce the risk of an accidental open circuit to the laser diode. If the connector is rocked back and forth, the connection to the laser diode should remain unbroken.

ERROR AND INDICATOR LEDES

LED	Standard Operation	Laser Disabled	Open Circuit	Over Temp	Current Limit
Power (Green)	ON	FLASH (1 sec)	FLASH (1 sec)	FLASH (1 sec)	ON
Error (Red)	OFF	OFF	FLASH (1/2 sec)	FLASH (1 sec)	ON

OPEN CIRCUIT DETECTED:

If an open circuit of the laser diode is detected, the laser current source is disabled, and latches the relay across the laser diode outputs. The GREEN LED will flash at a one second interval and the RED LED will flash twice as fast. You have to toggle the enable (input pin 6) to restart the laser diode. This detection feature is designed to protect against accidental damage to the laser diode when first turning it on and to serve as an indicator of a wiring problem. **IF THE LASER DIODE OPEN CIRCUITS DURING OPERATION, THIS DETECTION CIRCUIT WILL PROTECT THE LASER DIODE ONLY IF THE CIRCUIT REMAINS OPEN WHEN THE PROTECTION CIRCUIT IS TURNING THE LASER OFF. THE LASER DIODE WILL LIKELY BE DESTROYED BY THE TRANSIENTS CAUSED BY AN OPEN CIRCUIT DURING OPERATION IF THE LASER DIODE IS CONNECTED AGAIN DURING THE OPEN CIRCUIT SHUT DOWN (APPROX. 200µSEC).** IT IS IMPERATIVE THAT GOOD CONNECTION BE MAINTAINED DURING LASER DIODE OPERATION.

LASER DIODE OVER TEMPERATURE DETECTED:

If you have interfaced the FPL to either the FPT or TEC series of temperature controllers, or provided an appropriate temperature dependent input [see Page 5 for details], and if the laser diode reaches the critical pre-set temperature limit, the current source is disabled and the relay latches across the laser diode. The GREEN LED and RED LED will flash at one second intervals. The laser diode Enable input must be toggled to restart the laser. This detection protects the laser diode from thermal runaway conditions and other temperature related problems.

CURRENT LIMIT:

If this condition exists, the output current feedback loop is saturated so the current through the laser diode is driven only by the limit circuit. Both LEDs will be lit.

MODULE OVER TEMPERATURE:

Since the FPL is configured to use custom heatsinking, a thermistor is embedded in the case near the components that are subject to thermal problems if the heat of the module is not properly dissipated. If the module temperature exceeds 100°C, the laser diode will be disabled, but not latched off. Once the FPL cools down, the laser current will slow start to the set point.

SYSTEM CONFIGURATION GUIDE

FPL, FPT, FPC SERIES STANDARD CONFIGURATIONS AND SELECTION GUIDE: Any combination of two controllers (FPL Laser Diode Driver or FPT TE Temperature Controller) will mount inside the FPC package.

Please contact factory for special configurations.

Laser Diode / TE Temp. Controller guide for FPC combination modules:	Laser Diode Driver FPL-250 250 mA	Laser Diode Driver FPL-500 500 mA	Laser Diode Driver FPL-1000 1 Amp	Laser Diode Driver FPL-2500 2.5 Amp	Laser Diode Driver FPL-5000 5 Amp
2 Amp TE Temp. Controller FPT-2000	FPC-250-2	FPC-500-2	FPC-1000-2	FPC-2500-2	FPC-5000-2
4 Amp TE Temp. Controller FPT-4000	FPC-250-4	FPC-500-4	FPC-1000-4	FPC-2500-4	FPC-5000-4

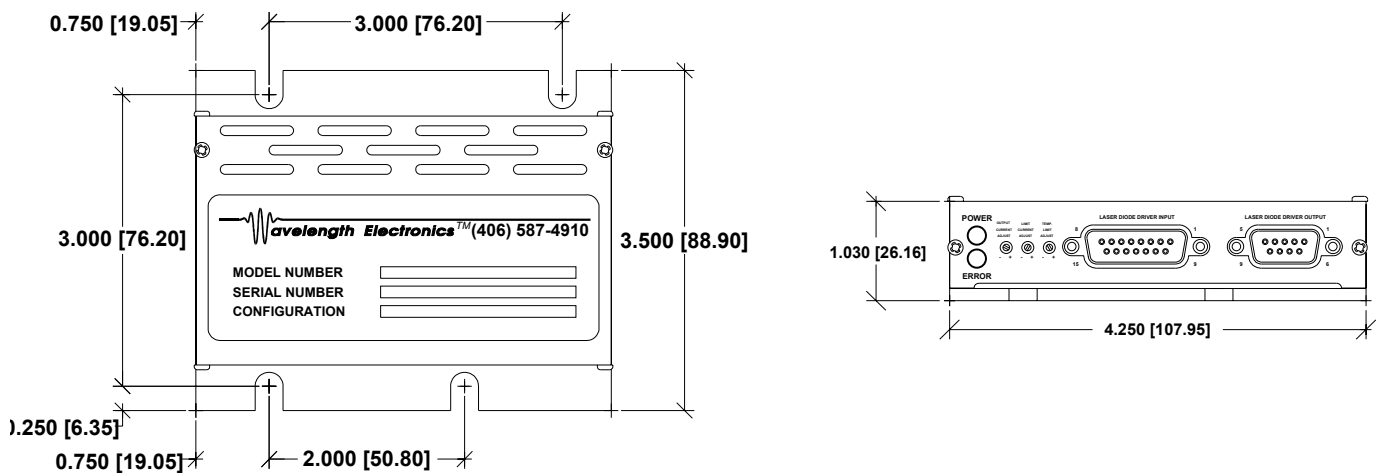
ACCESSORIES AVAILABLE FOR SYSTEM DEVELOPMENT: Three types of accessories are available, connector kits, cable assemblies and low noise cable assemblies. Connector kits include the appropriate 9 pin & 15 pin D-sub connectors, hoods and hardware. Cable assemblies include one meter of unterminated cable assembled with connector kits. Low noise cable assemblies add a filter for reducing noise when used with most FPL Laser Diode Drivers in CW mode.

	FPL	FPT	FPC
Connector Kits	CKL-100	CKT-200	CKC-300
Cable Assy.	CAL-101	CAT-201	CAC-301
Low-Noise Cable Assy.	CAL-102	Not available	CAC-302

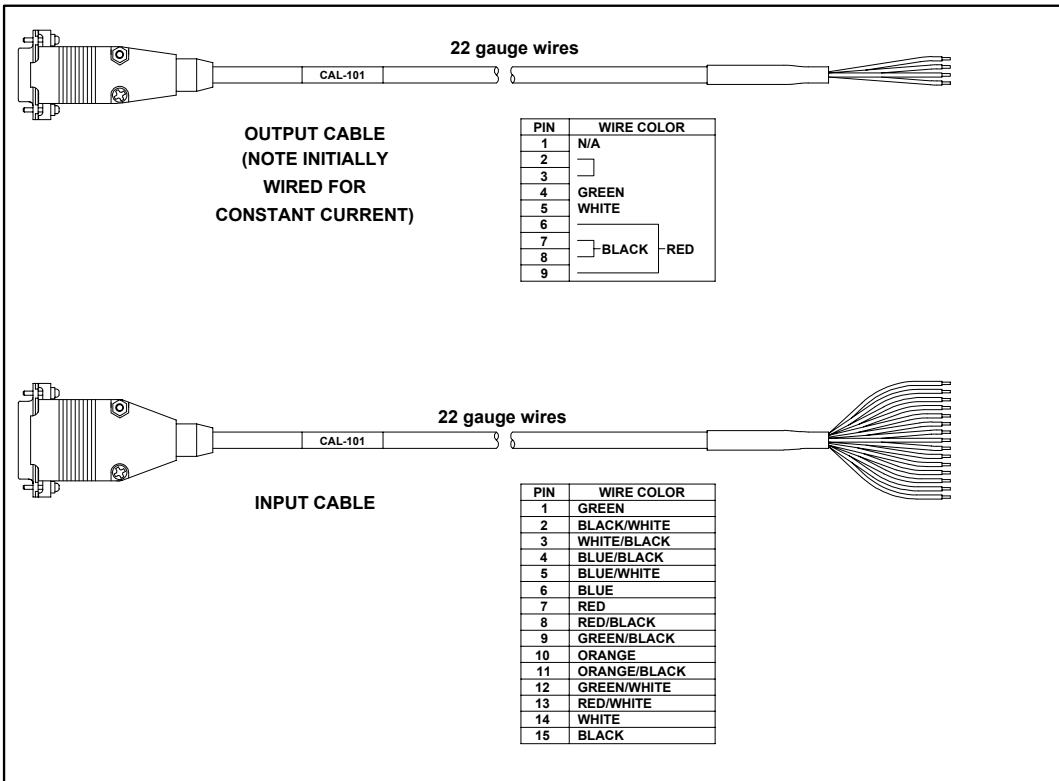
The following page details the cables and their pinouts.

MECHANICAL DIMENSIONS

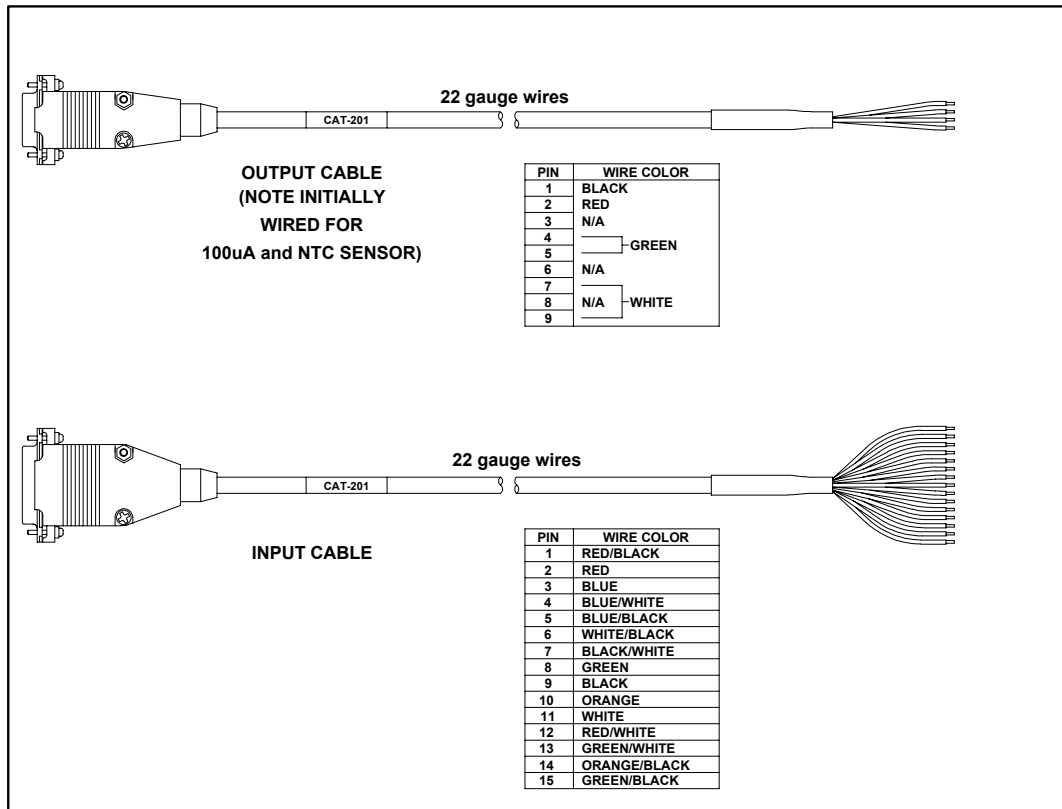
The following are sketches of the FPL as viewed from the top and front. The mounting holes are designed for use with 1/4-20 screws, but can be used with smaller screws with the proper selection of washer.



CAL-101 FPL CABLE ASSEMBLY



CAT-201 FPL CABLE ASSEMBLY



Note: The CAC-301 is the combination of one CAL-101 and one CAT-201 cable assemblies.

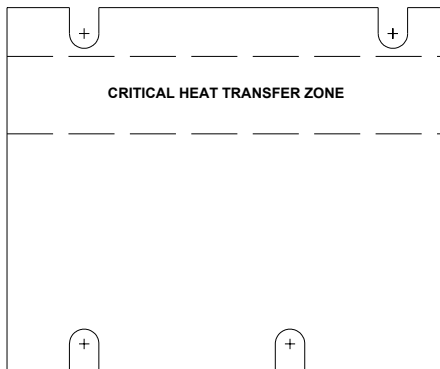
OPERATING PROCEDURES

The FPL laser diode drivers can power Class IV laser diodes. Precautions should be taken to avoid exposure to the laser radiation. Do not stare directly into the beam or expose hands or other body parts to the beam. Before powering the laser diode, mount it securely and have beam dumps set up to catch both front and back facet outputs.

In the United States, the Food & Drug Administration is responsible for monitoring laser products. The FPL series has been registered as an OEM product. It does not comply with regulations. You must incorporate it into your system and that system must comply with federal regulations. Wavelength Electronics has experience with the government requirements. We can help you insure that your device is compliant. Please contact us if you have any questions.

1. ESTABLISH THERMAL CONTROL

A heat sink must be properly attached to the FPL in order to remove heat from the module. The following drawing shows where the heat sensitive components are located. Thermally conductive grease should be used between the heatsink and the critical heat transfer zone for optimum performance.



First, calculate the maximum power that will be dissipated by the unit with one of the following equations:

FOR FPL-250, 500, 1000:

$$P_{UNIT} = [V_{LDSUPPLY} - V_{LOAD}] * I_{LIM} + [I_{LIM} - I_{LOAD}] * V_{LOAD} + \frac{(I_{LIM})^2 + (I_{LOAD})^2}{2}$$

FOR FPL-2500, 5000:

$$P_{UNIT} = [V_{LDSUPPLY} - V_{LOAD}] * I_{LIM} + [I_{LIM} - I_{LOAD}] * V_{LOAD} + \frac{(I_{LIM})^2 + (I_{LOAD})^2}{10}$$

where P_{UNIT} is the power dissipated in the FPL in watts, I_{LIM} is the limit current for the laser diode in amps, V_{LOAD} is the voltage across the laser diode during operation in volts, and $V_{LDSUPPLY}$ is the voltage at pin 8 on the input connector.

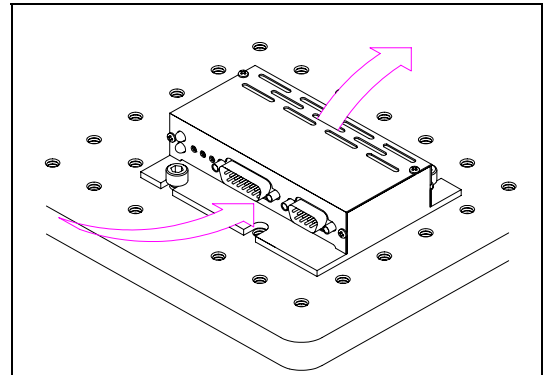
Now calculate the allowed rate of temperature increase with:

$$RATE = 70 / P_{UNIT} \text{ where Rate is in } ^\circ\text{C/W.}$$

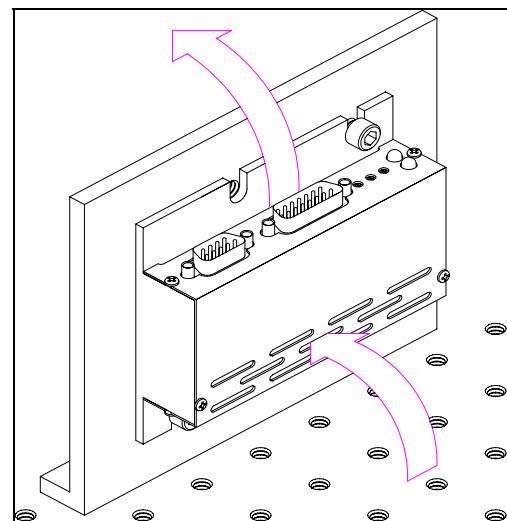
For example, if P_{UNIT} is 60W, RATE is 70/60 or 1.17°C/W. Adding a safety factor, you should select a heatsink with 0.9°C/W rating.

The following drawings show two methods of mounting the FPL such that air flow is properly maintained.

HORIZONTAL MOUNTING



VERTICAL MOUNTING



2. WIRE FPL 15 PIN INPUT CONNECTOR

First, wire the 15 pin input plug. If you are using a prebuilt cable assembly, refer to page 8 or the wire color legend. You can use one power supply for both the control electronics and laser diode current, or use separate power supplies. For one power supply:

Short V+ to LD SUPPLY (pin 7 to pin 8). Connect V+ (12 to 15 V) to pin 7, V- (-12 to -15V) to pin 14, and GND to pin 15.

Otherwise, to use two power supplies:

Connect V+ (12 to 15V) to pin 7, V- (-12 to -15V) to pin 14, and GND to pin 15. Connect the second power supply (lower voltage, high current) input to pin 8 (LD SUPPLY).

After the power supply is wired, add the connection to LD ENABLE (pin 6). See the special note in the Quick Start section when combining a FPL laser diode driver and FPT thermo-electric controller.

If you are interfacing to an FPT, make the FPT ERROR INPUT connection now. Tie pin 11 of the FPL input cable to pin 14 of the FPT input cable (FPT ERROR OUTPUT) and tie pin 9 of the FPL input cable (GND) to pin 15 of the FPT input cable. Also make the connection to the TEMP MONITOR INPUT. Tie pin 10 of the FPL to pin 5 (TEMP MONITOR) of the FPT or pin 6 of the TEC. [If using a TEC, also tie ground (pin 1) to pin 9 of the FPL input cable]. NOTE: IF THE THERMISTOR OR TE COOLER IS TIED TO THE LASER DIODE, THE POWER SUPPLIES OF THE FPT [OR TEC] AND FPL MUST BE SEPARATE, AND THESE SIGNALS MUST BE EXTERNALLY OPTICALLY ISOLATED.

If you will modulate the laser diode, connect the signal to pins 13 and 12 (GND) of the FPL input connector. **IF THE MODULATION INPUT WILL NOT BE USED, TIE PIN 13 TO PIN 12 AT THE CONNECTOR.**

For monitoring purposes, have a DVM available to read pins 2-5. Pin 1 should be tied to the common input of the DVM.

3. WIRE FPL 9 PIN OUTPUT CONNECTOR

First, configure the mode of operation. If you will run in Constant Power mode, short pins 1 and 2 together. Leave pin 3 floating. Connect the photodiode to pins 4 and 5. If you will run in Constant Current mode, short pins 2 and 3 together and leave pin 1 floating.

If the laser diode and photodiode are isolated and you want to maintain isolation, tie a 1M Ω resistor between the laser diode anode and photodiode cathode. If isolation is not required, simply short the laser diode anode and photodiode cathode. If not tied, the photodiode voltage level can float beyond the input common mode voltage of the transimpedance amplifier, and the driver will not control properly.

4. SET UP CURRENT LIMIT ROUGHLY

Monitor pin 3 of the input connector with the DVM. Using the appropriate transfer function (0.1mA/mV for FPL-250, FPL-500, and FPL-1000 or 1mA/mV for FPL-2500 and FPL-5000), calculate the proper voltage for the maximum current flow through the laser diode. [This should be well below the damage threshold of the diode.] With a jumper instead of the laser diode installed, and the laser diode enabled, rotate the middle potentiometer clockwise until the DVM reads the desired voltage.

5. SET UP TEMPERATURE LIMIT

Monitor pin 2 of the input connector with the DVM. Determine the voltage the temperature sensor will produce at the maximum operating temperature of the laser diode and rotate the potentiometer on the right [TEMP LIMIT ADJUST] clockwise until the DVM reads the desired voltage. Now power down the unit.

6. INSTALL LASER DIODE AND SET UP OPERATING CURRENT

Without power applied to the unit, connect the laser diode anode to pins 6 and 9 of the output connector. Connect the cathode to pins 7 and 8.

Constant Current Mode

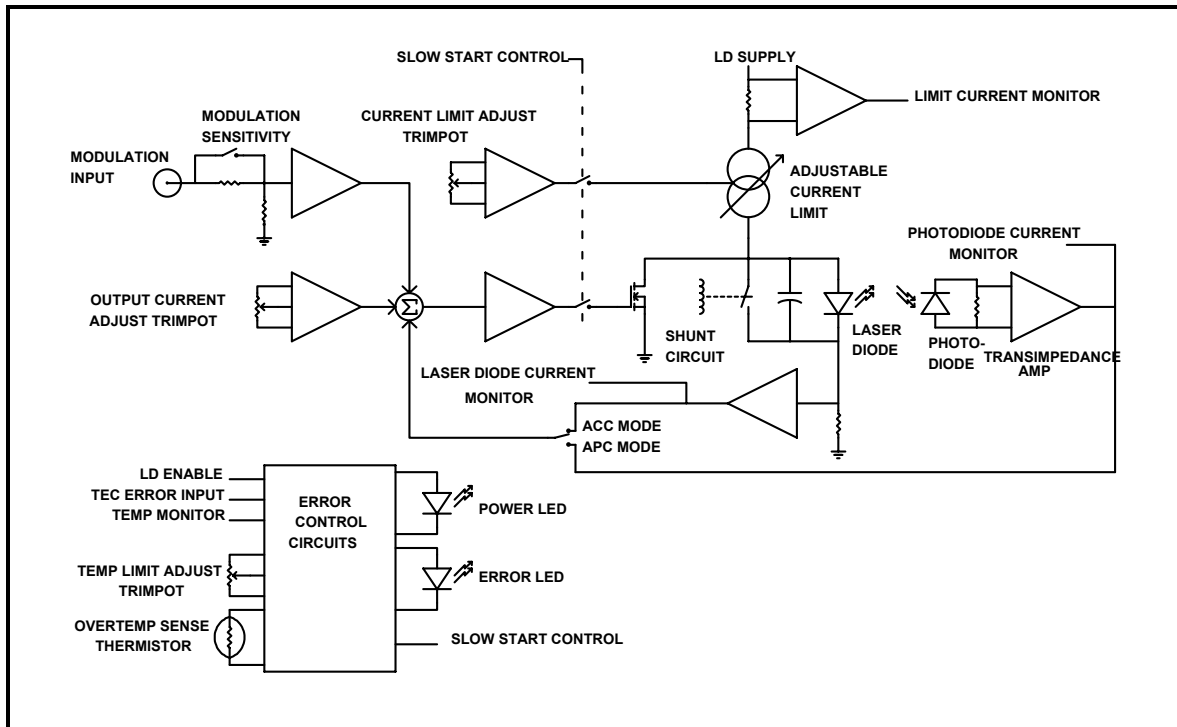
Monitor pin 4 (LD CURRENT MONITOR) of the input cable with the DVM. Using the appropriate transfer function (0.1mA/mV for FPL-250, FPL-500, and FPL-1000 or 1mA/mV for FPL-2500 and FPL-5000), calculate the voltage reading for the desired laser diode operating current. Make sure the potentiometer on the left is rotated fully counter clockwise then power on the unit. Enable the laser diode and slowly adjust the OUTPUT CURRENT potentiometer until the voltage monitored by the DVM is at the calculated level. Now go to the LIMIT CURRENT ADJUST potentiometer and slowly adjust it counter clockwise (lower) until the red ERROR LED comes on, indicating that the current limit is now set to the operating level. Turn the limit potentiometer clockwise until the red ERROR LED goes out, and your current limit is set. See Errors and Indicator LED's on page 6 and Troubleshooting Section on page 12 if the laser diode driver will not power up.

Constant Power Mode

Monitor pin 5 (PD CURRENT MONITOR) of the input cable. Using the 1 μ A/mV transfer function, calculate the voltage reading for the desired photodiode operating current. Make sure the potentiometer on the left is rotated fully counter clockwise then power on the unit. Enable the laser diode and slowly adjust the OUTPUT CURRENT potentiometer until the voltage monitored by the DVM is at the calculated level. Now go to the LIMIT CURRENT ADJUST potentiometer and slowly adjust it counter clockwise (lower) until the red ERROR LED comes on, indicating that the current limit is now set to the operating level. Turn the limit potentiometer clockwise until the red ERROR LED goes out, and your current limit is set. See Errors and Indicator LED's on page 6 and the Troubleshooting Section on page 12 if the laser diode driver will not power up.

Now you are ready to use your laser diode in your application. If you have any questions, call our technical support team at (406) 587-4910.

THEORY OF OPERATION



ADJUSTABLE CURRENT LIMIT

One of the most important features of the FPL laser diode driver is its adjustable current limit. The current limit sets the highest allowable current to the laser diode and is typically set well below the damage threshold of the laser diode. A twelve turn trimpot is used to adjust the current limit current source. An internal sense resistor between the LD Supply voltage and adjustable current limit current source is used to monitor the limit current.

To simplify power supply requirements, the LD Supply voltage can be the same potential as the positive supply voltage $V+$. If a triple output power supply is used, then the LD Supply voltage can be tied to the low voltage, high current output. This reduces the power dissipated in the FPL, and the LD Supply is reduced limiting the maximum voltage that can be supplied to the laser diode.

LASER DIODE CONTROL

The FPL laser diode driver can control the laser diode in constant current mode or in constant optical power mode. Either mode is selected by connecting the feedback input to the corresponding feedback variable. In Constant Current mode, the feedback variable is a voltage which corresponds to the amount of current through the laser diode. This voltage is generated by a sense resistor in the laser diode current path.

In Constant Power mode, the feedback variable is a voltage which corresponds to the amount of current through the laser diode's monitor photodiode. A fully differential transimpedance amplifier is used to sense the photodiode current. With a differential transimpedance amplifier, any of the laser diode/photodiode pin configurations can be used.

The adjustable limit current source provides current to the output stage. Two current paths are available for the current to flow to ground. One path is through the laser diode and current sense resistor. The other path is through a shunt control MOSFET. The shunt control MOSFET behaves like a voltage controlled impedance which the feedback circuit controls to vary the current to the laser diode. When the setpoint exceeds the limit current, the shunt control MOSFET goes into a high impedance state and the current through the laser diode is entirely controlled by the limit current source. This condition is detected as the Current Limit Error and is indicated when the ERROR LED is solid RED.

The output setpoint is the sum of the OUTPUT CURRENT ADJUST [twelve turn trimpot] and the modulation input. The OUTPUT CURRENT ADJUST trimpot can be used to set the bias current level through the laser diode while the modulation input is used to dither the current around this bias level. An alternate method of control is to reduce the OUTPUT CURRENT ADJUST trimpot to zero and control the output entirely through the modulation input. The modulation input's transfer function can be altered internally to reduce its sensitivity.

LASER DIODE PROTECTION STRATEGIES

Several laser diode protection strategies are used in the FPL series of laser diode drivers. These include slow start on/off control, laser diode open circuit detection, laser diode thermal runaway detection, thermo-electric cooler failure, and detection of laser diode driver overheating.

When the FPL laser diode driver is disabled, the adjustable limit current source is brought to a low standby current to reduce power consumed in the off state, a mechanical relay shorts the laser diode to provide a very low impedance across the laser diode, and the output setpoint is reduced to zero with the shunt control MOSFET in a very low impedance state to shunt away any residual limit current. The FPL is in this state when the POWER LED is flashing green at a one second rate.

As soon as the FPL laser diode driver is enabled, the adjustable limit current source is brought to its preset level. The mechanical relay is opened, and the shunt control MOSFET slowly changes from a low impedance state to a high impedance state, slow starting current to the laser diode. The FPL will enable the laser after an initial 3 second delay. The FPL is enabled when the power LED is a solid green.

The FPL laser diode drivers sense open circuits in the laser diode path. When an open circuit is detected, the driver is disabled and latched in the off state until the LD Enable pin is toggled off and then on. An open circuit error flashes the ERROR LED at a 1/2 second rate. In most cases, the laser diode will be protected from an open circuit when an open circuit is detected during the slow start enable state. Even though open circuits can be detected during the normal operation of the laser diode driver, the fast bounce of the laser diode being disconnected can eliminate the open circuit detect circuitry's ability to shut the output off before a transient damages the laser diode.

When the FPL laser diode driver is used in conjunction with an FPT or TEC temperature controller, it can reduce laser diode failures due to improper temperature control of the laser diode. The mean lifetime of a laser diode is reduced when operated at temperatures above ambient. The FPL laser diode driver can be configured to disable the laser diode driver current until the temperature of the laser diode drops below a preset level [TEMP LIMIT ADJUST trimpot]. If a temperature limit is detected, the output will be disabled and the ERROR LED will flash red at one second intervals. The LD Enable pin must be toggled off and then on again to enable the driver.

An additional feature only available when used with the FPT temperature controller uses the FPT Error input to disable the laser diode. When a TE open circuit or temperature sensor open/short circuit is detected, or a module overheat error occurs in the FPT, the FPT error input goes low, disabling the laser diode driver. When these error conditions are corrected, the laser diode driver is reenabled and slow started.

The FPL uses an imbedded thermistor to sense whether the module heatsink is sufficient. If the module's chassis temperature exceeds the maximum allowed temperature, then the laser diode is disabled. The POWER LED remains green because this state may correct itself. At that time the laser diode will be enabled and slow started. This protection feature also protects the laser diode driver module.

TROUBLESHOOTING

Several of the common problems people encounter with operating laser diodes are listed below. If this information does not solve your problem, please call our technical support team at (406) 587-4910.

SYMPTOM	PROBLEM	SOLUTION
Laser diode turns on and off	Heatsink to FPL is inadequate so embedded thermistor is shutting unit down	Increase heatsink mass or increase airflow over heatsink
	There is poor thermal contact between heatsink and FPL	Make sure thermal grease makes good contact with critical heatsink area on module and heatsink
Laser diode does not come on, enable light is green, no error lights are on	Improper wiring of laser diode	Check wiring, monitor pin 4 on the FPL input connector to see if any current is flowing
	Laser is damaged	Monitor the photodiode current, if it is less than 20 μ A, replace laser diode
Open circuit error condition	Laser diode circuit is open	Check cables and connectors
Limit error condition	Photodiode is damaged or laser has degraded with time	Replace laser diode
	Limit current is set too low	Slightly increase limit set point
	Connection to photodiode is open	Check cables and connectors
Over temperature error	TE module error	Refer to FPT troubleshooting guide

TECHNICAL SUPPORT (406) 587-4910