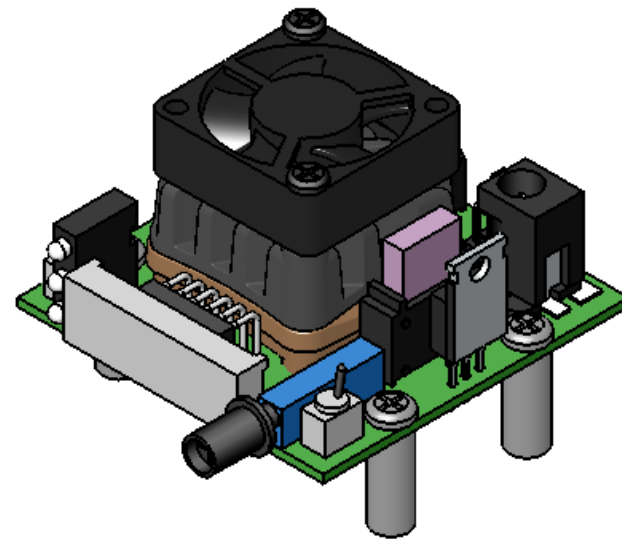
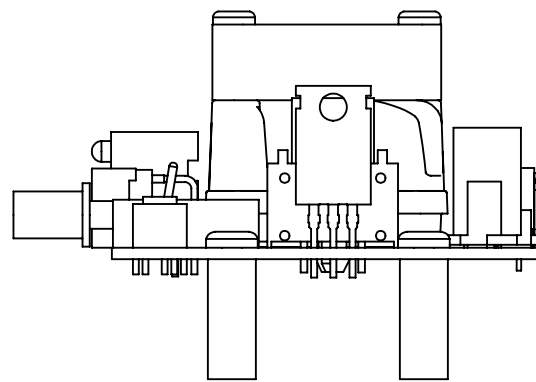
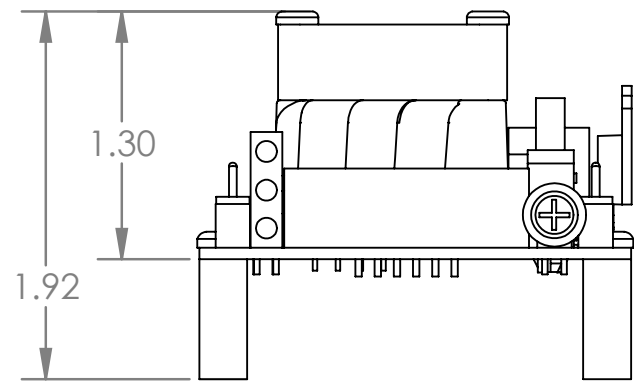
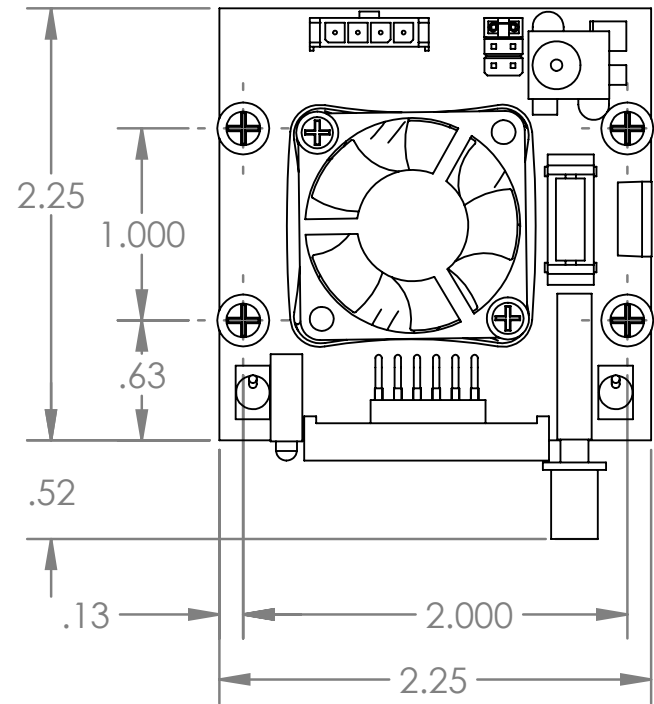




REVISIONS			
REV.	DESCRIPTION	DATE	APPROVED
A	INTRODUCE TO PRR	6-3-13	GSN



UNLESS OTHERWISE SPECIFIED DIMENSIONS ARE IN INCHES		THIS DRAWING AND INFORMATION CONTAINED THEREIN ARE THE PROPERTY OF WAVELENGTH ELECTRONICS, INC. (WEI). BY ACCEPTING THIS INFORMATION, THE BORROWER AGREES THAT IT WILL NOT BE USED FOR ANY PURPOSE OTHER THAN FOR WHICH IT WAS LOANED. IF THE BORROWER OF THIS DOCUMENT HAS NOT SIGNED A CONFIDENTIALITY AGREEMENT WITH WEI, THEN HE/SHE MUST REPORT THIS FACT TO WEI.																			
TOLERANCES 1 PL DECIMALS ± .1 2 PL DECIMALS ± .01 3 PL DECIMALS ± .005 ANGLES ± 1° FRACTIONS ± 1/64TH		APPROVALS <table border="1"> <thead> <tr> <th colspan="2">SIGNATURES</th> <th>DATE</th> </tr> </thead> <tbody> <tr> <td>ORIGINATOR</td> <td>G. NIEBEL</td> <td>6-3-13</td> </tr> <tr> <td>ENGINEERING</td> <td></td> <td></td> </tr> <tr> <td>CHECKED</td> <td></td> <td></td> </tr> <tr> <td>APPROVED</td> <td></td> <td></td> </tr> <tr> <td>APPROVED</td> <td></td> <td></td> </tr> </tbody> </table>		SIGNATURES		DATE	ORIGINATOR	G. NIEBEL	6-3-13	ENGINEERING			CHECKED			APPROVED			APPROVED		
SIGNATURES		DATE																			
ORIGINATOR	G. NIEBEL	6-3-13																			
ENGINEERING																					
CHECKED																					
APPROVED																					
APPROVED																					
THIRD ANGLE PROJECTION																					
		WAVELENGTH ELECTRONICS Phone: (406) 587-4183 Fax: (406)-587-4911 51 Evergreen Dr. Suite B Bozeman, MT. 59715																			
TITLE: WTC3293-14001 Assy		SIZE B DWG (PRR) NO. : SCALE: 1:1																			
		REV A SHEET 1 OF 1																			

